
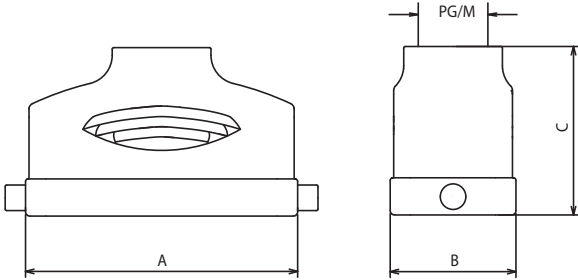


| Hoods top entry with 2 pegs for one lever<br>Custodia ingresso verticale con 2 perni per una leva  | Size<br>Grandezza   | Thread<br>Filettatura | No. of poles<br>No. poli § | Part No.<br>Codice |                       |               |   |   |   |       |   |    |      |    |       |    |      |      |    |       |    |    |      |    |        |    |       |      |    |
|--|---|-----------------------|----------------------------|--------------------|-----------------------|---------------|---|---|---|-------|---|----|------|----|-------|----|------|------|----|-------|----|----|------|----|--------|----|-------|------|----|
|   | 6B "44 x 27"  | M 20                  | 6                          | 7806.6553.0        |                       |               |   |   |   |       |   |    |      |    |       |    |      |      |    |       |    |    |      |    |        |    |       |      |    |
|  | 6B "44 x 27"  | M 25                  | 6                          | 7806.6554.0        |                       |               |   |   |   |       |   |    |      |    |       |    |      |      |    |       |    |    |      |    |        |    |       |      |    |
|  | 6B "44 x 27"  | Pg 13.5               | 6                          | 7806.6503.0        |                       |               |   |   |   |       |   |    |      |    |       |    |      |      |    |       |    |    |      |    |        |    |       |      |    |
|  | 6B "44 x 27"  | Pg 16                 | 6                          | 7806.6504.0        |                       |               |   |   |   |       |   |    |      |    |       |    |      |      |    |       |    |    |      |    |        |    |       |      |    |
|  | 10B "57 x 27"   | M 20                  | 10                         | 7810.6556.0        |                       |               |   |   |   |       |   |    |      |    |       |    |      |      |    |       |    |    |      |    |        |    |       |      |    |
|  | 10B "57 x 27"   | M 25                  | 10                         | 7810.6593.0        |                       |               |   |   |   |       |   |    |      |    |       |    |      |      |    |       |    |    |      |    |        |    |       |      |    |
|  | 10B "57 x 27"   | Pg 16                 | 10                         | 7810.6506.0        |                       |               |   |   |   |       |   |    |      |    |       |    |      |      |    |       |    |    |      |    |        |    |       |      |    |
|  | 16B "77 x 27"   | M 25                  | 16                         | 7816.6558.0        |                       |               |   |   |   |       |   |    |      |    |       |    |      |      |    |       |    |    |      |    |        |    |       |      |    |
|  | 16B "77 x 27"   | Pg 21                 | 16                         | 7816.6508.0        |                       |               |   |   |   |       |   |    |      |    |       |    |      |      |    |       |    |    |      |    |        |    |       |      |    |
|  | 24B "104 x 27"  | M 25                  | 24                         | 7824.6560.0        |                       |               |   |   |   |       |   |    |      |    |       |    |      |      |    |       |    |    |      |    |        |    |       |      |    |
|  | 24B "104 x 27"  | M 32                  | 24                         | 7824.6924.0        |                       |               |   |   |   |       |   |    |      |    |       |    |      |      |    |       |    |    |      |    |        |    |       |      |    |
|  | 24B "104 x 27"  | Pg 21                 | 24                         | 7824.6510.0        |                       |               |   |   |   |       |   |    |      |    |       |    |      |      |    |       |    |    |      |    |        |    |       |      |    |
|  |  |                       |                            |                    |                       |               |   |   |   |       |   |    |      |    |       |    |      |      |    |       |    |    |      |    |        |    |       |      |    |
| <table border="1"> <thead> <tr> <th>Size B<br/>Grandezza B</th> <th>Poles<br/>Poli</th> <th>A</th> <th>B</th> <th>C</th> </tr> </thead> <tbody> <tr> <td>44x27</td> <td>6</td> <td>60</td> <td>43.5</td> <td>53</td> </tr> <tr> <td>57x27</td> <td>10</td> <td>73.5</td> <td>43.5</td> <td>58</td> </tr> <tr> <td>77x27</td> <td>16</td> <td>94</td> <td>43.5</td> <td>58</td> </tr> <tr> <td>104x27</td> <td>24</td> <td>120.5</td> <td>43.5</td> <td>68</td> </tr> </tbody> </table> |   |                       |                            |                    | Size B<br>Grandezza B | Poles<br>Poli | A | B | C | 44x27 | 6 | 60 | 43.5 | 53 | 57x27 | 10 | 73.5 | 43.5 | 58 | 77x27 | 16 | 94 | 43.5 | 58 | 104x27 | 24 | 120.5 | 43.5 | 68 |
| Size B<br>Grandezza B  | Poles<br>Poli   | A                     | B                          | C                  |                       |               |   |   |   |       |   |    |      |    |       |    |      |      |    |       |    |    |      |    |        |    |       |      |    |
| 44x27  | 6   | 60                    | 43.5                       | 53                 |                       |               |   |   |   |       |   |    |      |    |       |    |      |      |    |       |    |    |      |    |        |    |       |      |    |
| 57x27  | 10  | 73.5                  | 43.5                       | 58                 |                       |               |   |   |   |       |   |    |      |    |       |    |      |      |    |       |    |    |      |    |        |    |       |      |    |
| 77x27  | 16  | 94                    | 43.5                       | 58                 |                       |               |   |   |   |       |   |    |      |    |       |    |      |      |    |       |    |    |      |    |        |    |       |      |    |
| 104x27   | 24  | 120.5                 | 43.5                       | 68                 |                       |               |   |   |   |       |   |    |      |    |       |    |      |      |    |       |    |    |      |    |        |    |       |      |    |
| <ul style="list-style-type: none"> <li>- Types: STD For standard applications up to 500V for S-E, S-HSB, S-K inserts<br/>                     Tipo: STD per applicazioni standard fino a 500V per inserti S-E, S-HSB, S-K</li> <li>- For IP65 and IP68 cable glands<br/>                     Per pressacavi IP65 e IP68</li> </ul>   |   |                       |                            |                    |                       |               |   |   |   |       |   |    |      |    |       |    |      |      |    |       |    |    |      |    |        |    |       |      |    |
| § Number of poles with S-E inserts<br>Numero di poli con inserti S-E   |   |                       |                            |                    |                       |               |   |   |   |       |   |    |      |    |       |    |      |      |    |       |    |    |      |    |        |    |       |      |    |

500V